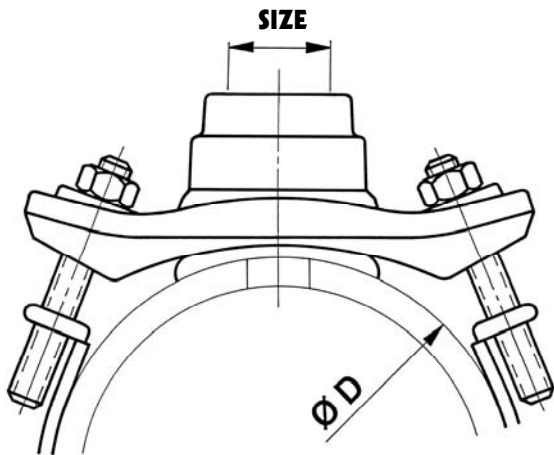


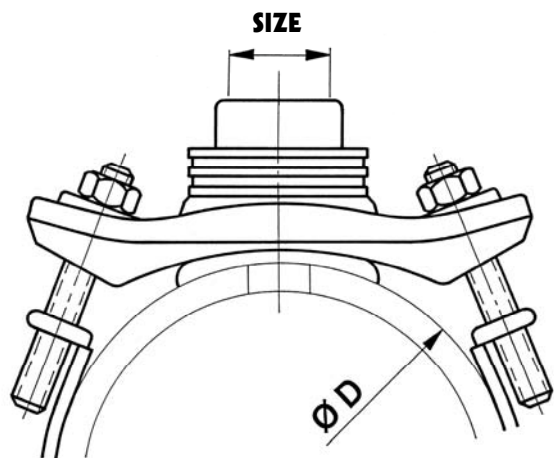
GOLF SADDLES



Dry and Under Pressure versions



Dry version



Under Pressure version



interTORRE

Selva de Mar 135-145 ● 08020 Barcelona ● Spain
 Tel. 93 307 31 60 ● Fax 93 307 35 08
 promo@torre.biz ● www.torre.biz

GOLF SADDLES

SIZES, REFERENCES AND RANGES

SIZES	REFERENCES	Min. OD	Max. OD	Qty. per box
-------	------------	---------	---------	--------------

DRY VERSION

1"	2350 S 2B	70	355	10
1¼"	2350 S 3B	70	355	10
1½"	2350 S 4B	90	355	6
2"	2350 S 5B	90	355	6

UNDER PRESSURE VERSION

1"	2355 S 2B	70	355	10
1¼"	2355 S 3B	70	355	10
1½"	2355 S 4B	90	355	6
2"	2355 S 5B	90	355	6

PARTS

SPECIFICATION

O-RING	NBR, Rubber
SLEEVE	PVC
BASE	Ductile iron + Epoxy
JOINT	NBR, Rubber

STRAPS

SIZES, REFERENCES AND RANGES

SIZES	REFERENCES	Min. OD	Max. OD	Qty. per box
-------	------------	---------	---------	--------------

60	2330 C 060	70	90	5
80	2330 C 080	90	110	5
100	2330 C 100	110	130	5
125	2330 C 125	130	150	5
150	2330 C 150	160	180	5
175	2330 C 175	190	210	5
200	2330 C 200	220	240	5
225	2330 C 225	250	270	5
250	2330 C 250	270	290	5
300	2330 C 300	315	335	5
300L	2330 C 300L	335	355	5

PARTS

SPECIFICATION

NUT	AISI 304, Stainless Steel
KNUCKLE	Acetal Copolymer
STUD BOLT	AISI 304, Stainless Steel
BAND	AISI 304, Stainless Steel
TIRE	NBR, Rubber

Eng 06-05.03

