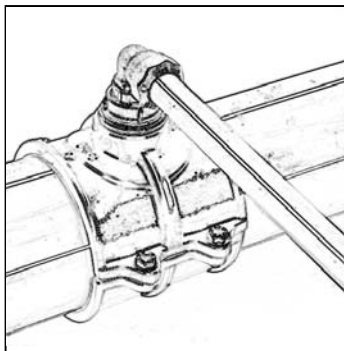
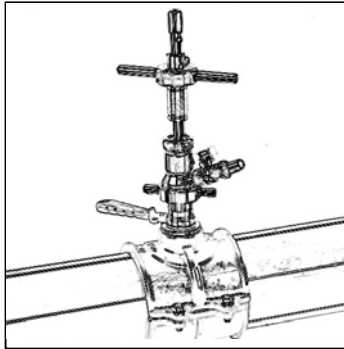
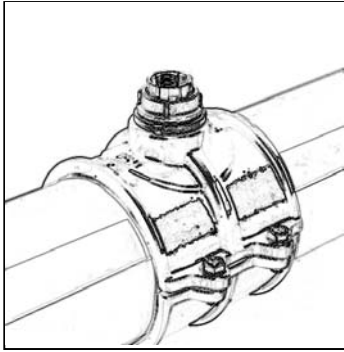


GOLF CONNECTORS

Under Pressure threaded Connectors

TORRESystem



CHARACTERISTICS

- ➊ → **Applications**
Are installed on standard collars and for convenient under pressure tapping.
- ➋ → **EPDM joint with ACS Certificate**
All **Torre** connectors are equipped with EPDM joints with ACS Certificate (Attestation de Conformité Sanitaire) issued by the CRECEP (Centre de Recherche d'Expertise et Contrôle des Eaux de Paris).
- ➌ → **Spatula shut off**
To carry out the under pressure connection operation the water flow is interrupted by means of inserting the spatula that is supplied with the drilling equipment.
- ➍ → **Convenient installation**
The compact nature of the **Torre** drilling equipment makes it possible for these connectors to be installed in places with restricted access and in any vertical, horizontal or sloping position.
- ➎ → **Capping off service connections**
By loosening the nut and inserting the spatula, repair work can be carried out on the service connection network or the tapping can be capped off by means of inserting a threaded plug.
- ➏ → **Storage advantages**
Connectors are supplied in labelled boxes to make handling, storage and identification easier.