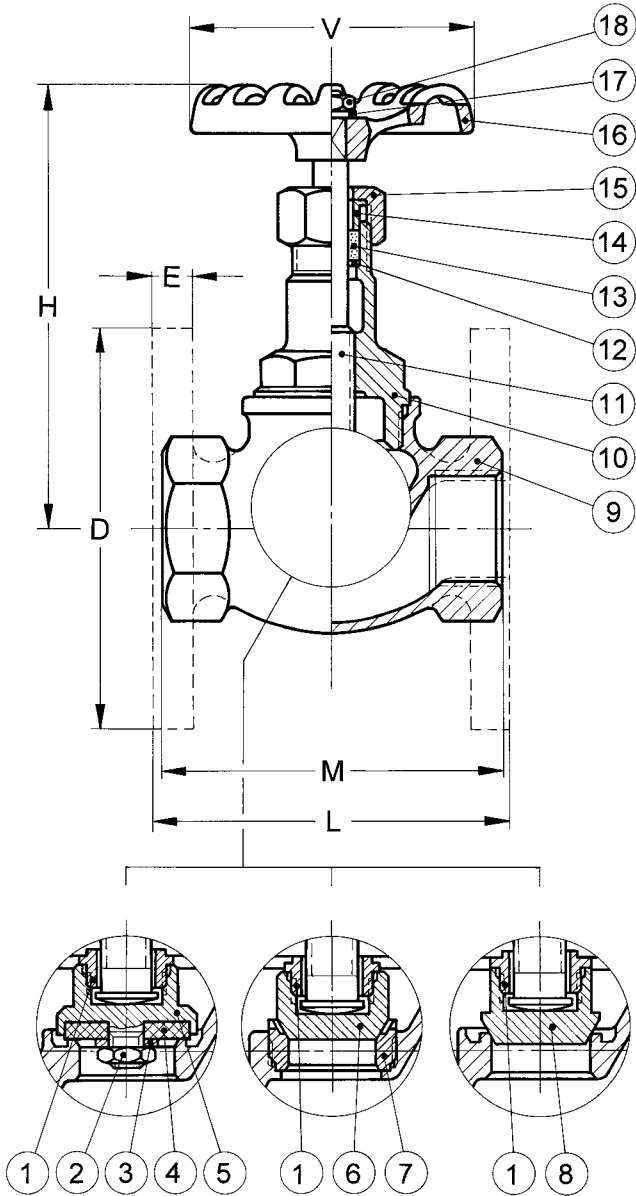


# BRONZE GLOBE VALVES



Stainless Steel, Bronze and PTFE disc



## GLOBE VALVES

### PARTS AND SPECIFICATIONS

N°	PART	SPECIFICATION
18	HANDWHEEL NUT	Brass
17	HANDWHEEL WASHER	Brass
16	HANDWHEEL	Aluminium
15	PACKING NUT	Rg5, Bronze
14	GLAND	Rg5, Bronze
13	PACKING	Pure PTFE
12	PACKING WASHER	Rg5, Bronze
11	STEM (from 1/2" to 1")	AISI 303, Stainless Steel
11	STEM (from 1 1/4" to 2")	Rg5, Bronze
10	BONNET	Rg5, Bronze
9	BODY	Rg5, Bronze
8	BRONZE DISC	Rg5, Bronze
7	STAINLESS STEEL SEAT	AISI 431, Treated Stainless Steel
6	STAINLESS STEEL DISC	AISI 431, Treated Stainless Steel
5	DISC HOLDER	Brass
4	PTFE DISC	PTFE
3	DISC WASHER	Brass
2	DISC NUT	Brass
1	LOCK NUT	Rg5, Bronze

## THREADED VALVES - REF. 335 D

### SIZES, DIMENSIONS AND WEIGHTS

SIZE	H open	H closed	M	V	kg
1/2"	111	105	67	60	0,600
3/4"	123	113	80	60	0,860
1"	141	130	95	80	1,300
1 1/4"	160	149	112	100	2,080
1 1/2"	163	149	132	100	2,860
2"	206	184	160	120	4,650

## FLANGED VALVES - REF. 336 D

### SIZES, DIMENSIONS AND WEIGHTS

SIZE	D - DIN	E	H open	H closed	L	V	kg
DN 15	95	10	111	105	80	60	1,580
DN 20	105	11	123	113	90	60	2,180
DN 25	115	11	141	130	100	80	2,930
DN 32	140	13	160	149	110	100	4,810
DN 40	150	13	163	149	130	100	5,760
DN 50	165	15	206	184	150	120	8,740



**interTORRE**

Selva de Mar 135-145 ● 08020 Barcelona ● Spain  
 Tel. 93 307 31 60 ● Fax 93 307 35 08  
 promo@torre.biz ● www.torre.biz

Eng 40-07/01

