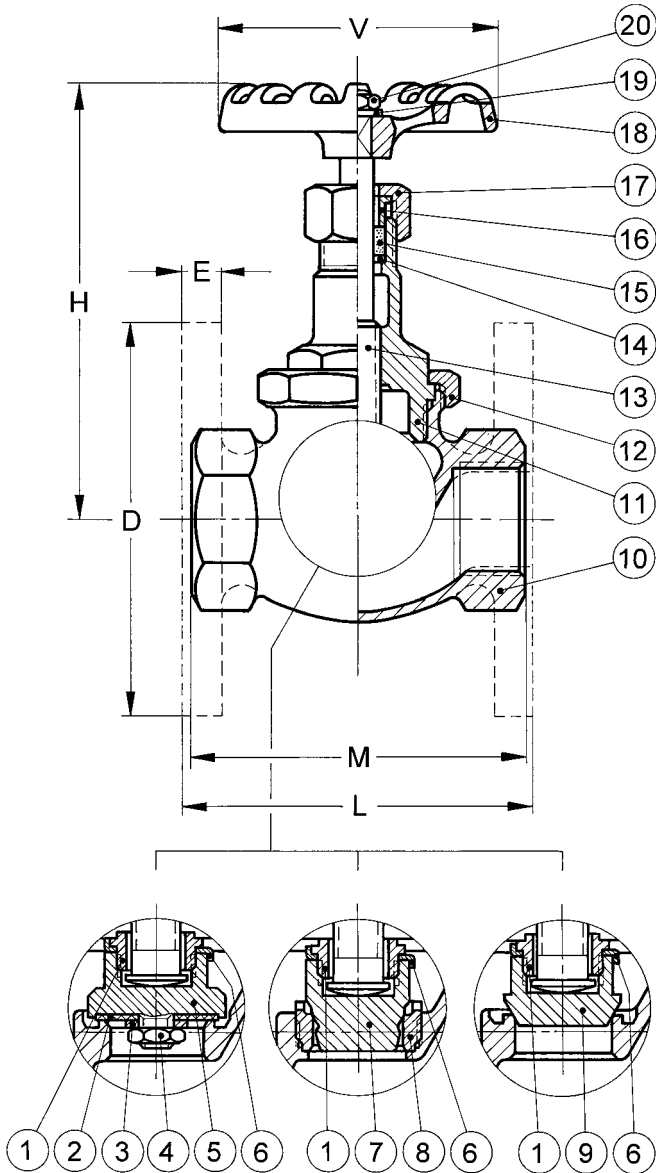


BRONZE GLOBE VALVES



SECURED BONNET



"S B" GLOBE VALVES

PARTS AND SPECIFICATIONS

N°	PART	SPECIFICATION
20	HANDWHEEL NUT	Brass
19	HANDWHEEL WASHER	Brass
18	HANDWHEEL	Aluminium
17	PACKING NUT	Rg5, Bronze
16	GLAND	Rg5, Bronze
15	PACKING	Pure PTFE
14	PACKING WASHER	Rg5, Bronze
13	STEM (from 1/2" to 1")	AISI 303, Stainless Steel
13	STEM (from 1 1/4" to 2")	Rg5, Bronze
12	SECURITY NUT	Rg5, Bronze
11	BONNET	Rg5, Bronze
10	BODY	Rg5, Bronze
9	BRONZE DISC	Rg5, Bronze
8	STAINLESS STEEL SEAT	AISI 431, Treated Stainless Steel
7	STAINLESS STEEL DISC	AISI 431, Treated Stainless Steel
6	LOCKING WASHER	Copper
5	DISC HOLDER	Rg5, Bronze
4	DISC NUT	Rg5, Bronze
3	DISC WASHER	Rg5, Bronze
2	PTFE DISC	PTFE with graphite charge
1	LOCK NUT	Rg5, Bronze

THREADED VALVES - REF. 335 SB

SIZES, DIMENSIONS AND WEIGHTS

SIZE	H open	H closed	M	V	kg
1/2"	111	105	67	60	0,600
3/4"	123	113	80	60	0,860
1"	141	130	95	80	1,300
1 1/4"	160	149	112	100	2,080
1 1/2"	163	149	132	100	2,860
2"	206	184	160	120	4,650

FLANGED VALVES - REF. 336 SB

SIZES, DIMENSIONS AND WEIGHTS

SIZE	D - DIN	E	H open	H closed	L	V	kg
DN 15	95	10	111	105	80	60	1,580
DN 20	105	11	123	113	90	60	2,180
DN 25	115	11	141	130	100	80	2,930
DN 32	140	13	160	149	110	100	4,810
DN 40	150	13	163	149	130	100	5,760
DN 50	165	15	206	184	150	120	8,740



interTORRE

Selva de Mar 135-145 ● 08020 Barcelona ● Spain
 Tel. 93 307 31 60 ● Fax 93 307 35 08
 promo@torre.biz ● www.torre.biz

Eng 42-02.12

