

GIGA TEES



Under Pressure Tees for large diameter connections

GIGA TEES

SIZES, REFERENCES AND RANGES

Intake size	Pipe size	REFERENCE	Ø d	Ø K	N	Qty. per box
65/1	100 to 200	2410 S 065/1	185	145	4	1
65/2	200 to 300	2410 S 065/2	185	145	4	1
80/1	125 to 200	2410 S 080/1	200	160	8	1
80/2	200 to 300	2410 S 080/2	200	160	8	1
100/1	150 to 200	2410 S 100/1	220	180	8	1
100/2	200 to 300	2410 S 100/2	220	180	8	1

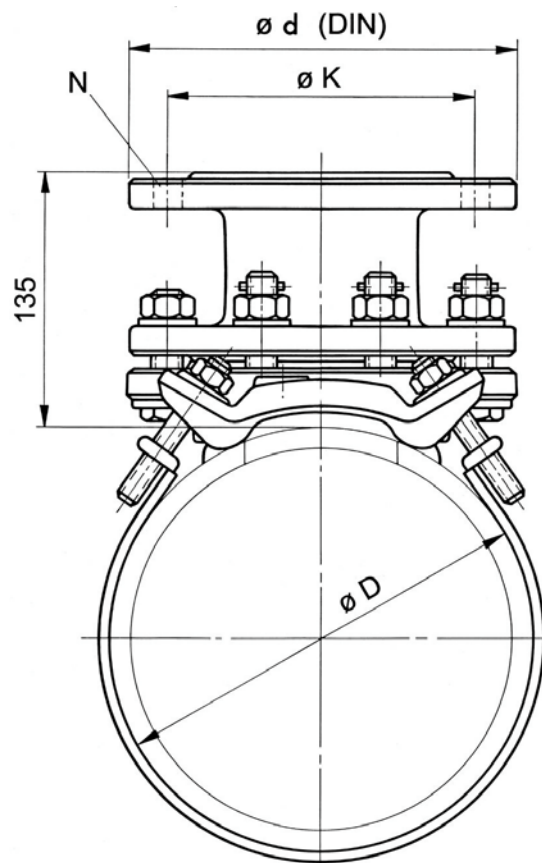
PART	SPECIFICATION
PIN	Steel + Dacromet
NUT	Steel + Dacromet
WASHER	Steel + Dacromet
SCREW	Steel + Dacromet
O-RING	NBR, Rubber
SPOOL	Ductile iron + Rilsan
BASE	Ductile iron + Rilsan
JOINT	EPDM. Rubber

S T R A P S

SIZES, REFERENCES AND RANGES

Size	REFERENCE	Min. O.D.	Max. O.D.	Qty. per box
100	2330 C 100	110	130	5
125	2330 C 125	130	150	5
150	2330 C 150	160	180	5
175	2330 C 175	190	210	5
200	2330 C 200	220	240	5
225	2330 C 225	250	270	5
250	2330 C 250	270	290	5
300	2330 C 300	315	335	5
300L	2330 C 300L	335	355	5

PART	SPECIFICATION
NUT	AISI 304, Stainless Steel
KNUCKLE	Acetal Copolymer
STUD BOLT	AISI 304, Stainless Steel
BAND	AISI 304, Stainless Steel
TIRE	NBR, Rubber



interTORRE

Selva de Mar 135-145 ● 08020 Barcelona ● Spain
 Tel. 93 307 31 60 ● Fax 93 307 35 08
 promo@torre.biz ● www.torre.biz

Eng 12-05-04

