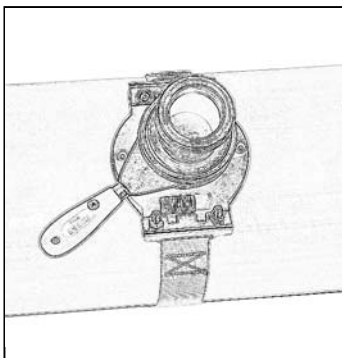
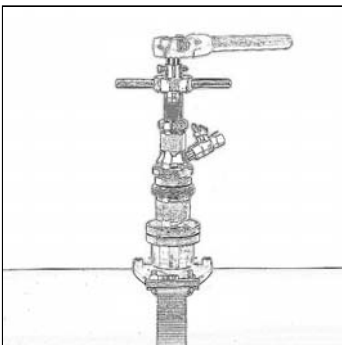
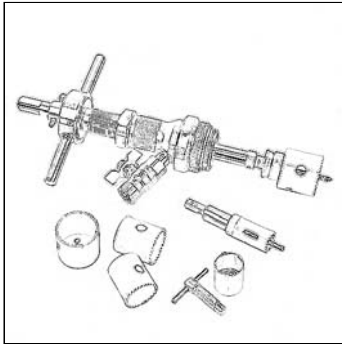


DRILLING EQUIPMENT FOR GAS



CHARACTERISTICS

① → Applications

Drilling equipment including all the elements necessary to install service connection collars and carry out launching on polyethylene, ductile iron, cast iron, steel, PVC and other materials.

② → Versions and components

These are supplied in two versions:

- ♣ Complete drilling equipment Reference EP10
- ♣ Basic drilling equipment Reference EP11

The basic version comes with the elements necessary to carry out preliminary launching drilling.

The complete version is equipped with all the components required for the installation of any type of standard service connection collar.

A detailed description of the components that make up each of the version is included on the reverse side of this sheet.

③ → Tool box

Made in damp-resistant plywood, with reinforced metal corner pieces. The inside is divided into compartments for correct equipment storage.

④ → Drilling machine

Manufactured completely in hardened steel. The compact nature of this machine makes it ideal for use in areas with restricted accessibility. The drilling machine is designed to be activated by means of the ratchet wrench which is supplied along with the equipment or with an electric, pneumatic or hydraulic motor. The thrust screw incorporates brackets for hand activation.

⑤ → Leak-tightness test

A cover is supplied along with the equipment for carrying out the leak-tightness test, prior to drilling, to verify that the seal between the collar and the pipe is hermetic.

⑥ → Equipment maintenance

To keep the equipment in good working order, it is advisable to carry out an annual check in the factory.