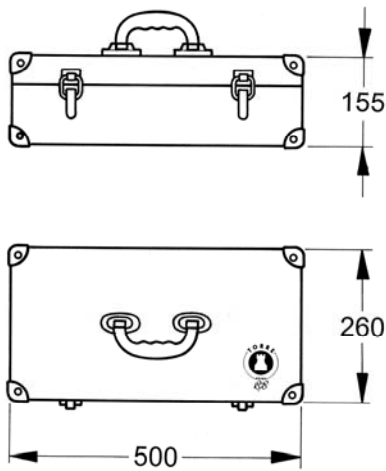
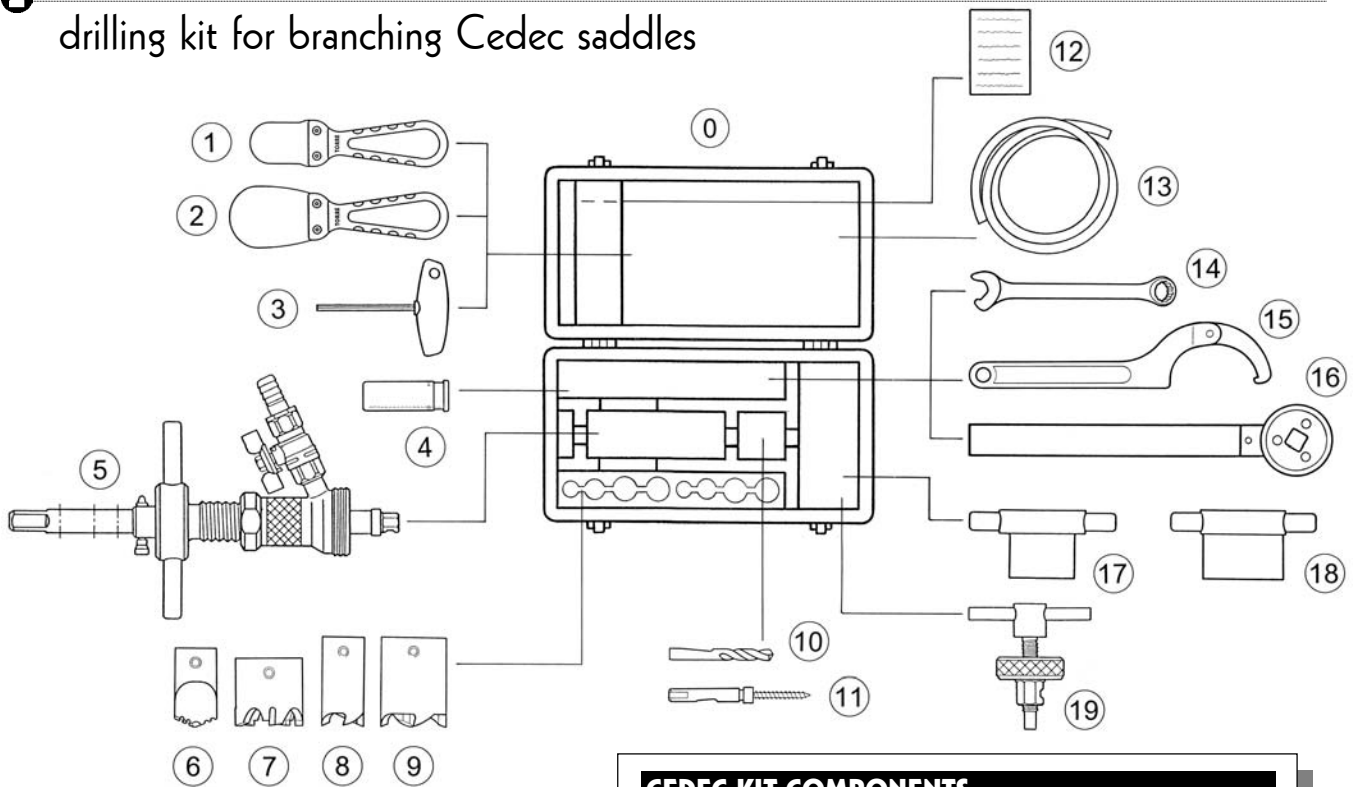


# CEDEC KIT

drilling kit for branching Cedec saddles



**interTORRE**

Selva de Mar 135-145 ● 08020 Barcelona ● Spain  
 Tel. 93 307 31 60 ● Fax 93 307 35 08  
 promo@torre.biz ● www.torre.biz

## CEDEC KIT COMPONENTS

### Nº, NAME, REFERENCES AND QUANTITIES

Nº	NAME	REFERENCE	QUANTITY
0	Empty tool box	2110 C 02	1
1	1" Spatula	1256	1
2	1½" Spatula	1258	1
3	T-handle hex key of 3mm	1657	1
4	Spare parts box:		1
	- Pin with elastic ring	1093	1
	- Elastic ring for pin	1108	2
	- O-ring (21 x 3)	JT21X3	2
	- Stainless steel stud bolts	--	12
5	Drilling machine 4 positions	1961	1
6	Integral drill 1"	2385 B 24	1
7	Cutter FDW 1½"	2385 FDW 38	1
8	Cutter PE/PVC 1"	2385 PEC 23	1
9	Cutter PE/PVC 1½"	2385 PEC 37	1
10	Centering drill 6,3mm diam.	2385 B 6	2
11	Retaining screw for PVC	2385 T 4	2
12	Check List	--	1
13	Drainage hose (2 meters)	1043	1
14	Combination grip wrench of 19	1940	1
15	50-80 Hook spanner	1651	1
16	17mm Ratchet wrench	2481 D	1
17	25/32 Coupling	1045	1
18	40/50 Coupling	1044	1
19	Core extractor PE/PVC of 15	1042	1

**WEIGHT KIT: 11 Kg.**